

CM81 CLEAN MACHINE

teknek

An ITW Company



CM81 CLEAN MACHINE



An ITW Company

The CM81 has been further developed to address the increasing demands of many industries for a sheet cleaner that can process and clean very thin materials. Innovation in Teknek elastomer and adhesive technology are key to the CM81 offering a low static environment and world class cleaning.

The latest Teknek elastomer in NT, available in the CM81, is just one of the key elements in the advancement of thin film processing. Controlling the static at point of cleaning is achieved through this unique material, resulting in Teknek cleaning and reliable thin film processing.

SPECIFICATION

Available in five cleaning widths	300 – 600 – 650 – 750 – 1000
Operating modes	Uni-Directional & Auto Reverse **
Processing speed	1 – 40 m/min
Static elimination	MEB or Air Assist Bars
Pass line height	900 or 1000 +/- 50mm
Power supply "Universal"	85 – 264V AC
Air supply required	5 - 7 bar " Oil free air "
Roller Top Lift & Top Drive	Optional Feature

** Different modes of operation are available on request



FEATURES

BENEFITS



Low Static Cleaning

Teknek raise the bar in contact cleaning with the introduction of a ground breaking “Low Static Cleaning System “. The patented NT elastomer and GAR adhesive combine to provide Teknek Cleaning performance with low static levels.



Roller Carriage

The CM81 was specifically designed to fully integrate into today’s manufacturing processes. Uptime of all equipment within a process is key and the CM81 addresses this with a unique quick removal roller carriage.

Note: If Roller Top Lift & Top Drive are fitted there is a change to the standard roller carriage which removes the quick removal feature.



Low Static Adhesive

Teknek continue to innovate with the release of Low Static Adhesive. Along with the other key elements within The CM81, NT and grounding pathways, the addition of Low Static Adhesive offers the best Low Static Cleaning.



Static Control

The Low Static technology inside the CM81 ensure no additional charge is generated on the material cleaned. Two MEB Static bars are fitted as standard to the CM81, with the option of external Air Assist DC bars, both systems reduce the chance of re-attracting contamination.



Material Control

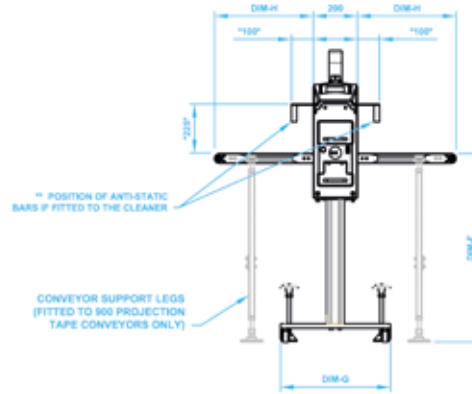
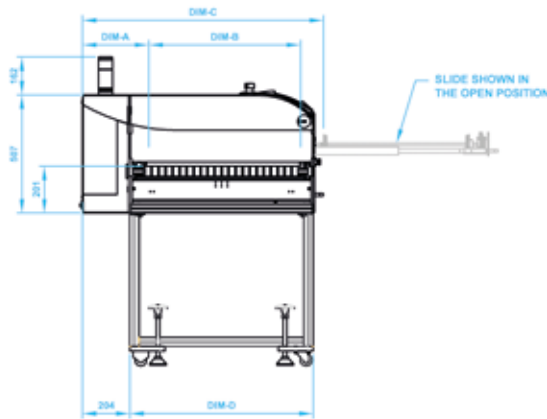
The challenge of processing thin materials is addressed in the CM81 with a compact driven stainless-steel support roller. These support rollers present the material to the cleaning roller nip ensuring a smooth transition through the cleaner.



An ITW Company

CM81 CLEAN MACHINE

TECHNICAL SPECIFICATION



MACHINE	CLEANING WIDTH	OVERALL WIDTH	PULLOUT WIDTH
CM81 - 300	320mm	724mm	1511mm
CM81 - 600	622mm	1026mm	1813mm
CM81 - 650	650mm	1026mm	1813mm
CM81 - 750	762mm	1166mm	1953mm
CM81 - 1000	1000mm	1404mm	2191mm

CONVEYOR TYPE	DIM_H
STANDARD TAPE	450mm
STANDARD DISC	486mm
STUBBY TAPE	127mm
STUBBY DISC	136mm
NO CONVEYORS	0mm

"More STANDARD conveyor options available"



Roller Maintenance Products
TEKWIPES: MI6700C Roller Doctor: PL63097

WORLD LEADER IN CONTACT CLEANING



Sweden
Phone +46(0)40-672 84 00
E-mail: info@marabu.se
www.marabu.se

Denmark
Phone +45-70 10 00 67
E-mail: info@marabu.dk
www.marabu.dk

Norway
Phone +47-22 73 50 00
E-mail: info@marabu.no
www.marabu.no

Finland
Phone +358-9 279 85 40
E-mail: info@marabu.fi
www.marabu.fi